

Section 10. API 5000lb Mud Gate Valves

Mud Gate Valves are designed and manufactured in accordance with the following specifications:-

API 6A	Specification for Wellhead and Christmas Tree Equipment
ANSI B31.3	Chemical Plant and Petroleum Refinery Piping
ASME VIII	Boiler and Pressure Vessel Code
MSS-SP-55	Quality Standard for Steel Castings for Valve, Flanges and Fittings and Other Piping Components
NACE MR-01-75	Sulphide Stress Cracking Resistant Metallic Materials for Oilfield Equipment

Mud Gate Valves are available for use in the following pressure ratings and services:-

PRESSURE & TEMPERATURE RATINGS			
WORKING PRESSURE	2,000 PSI	3,000PSI	5,000PSI
TEST PRESSURE	3,000PSI	4,500PSI	7,500PSI
API TEMPERATURE RATING	P (-29 DEG C) TO U (+121 DEG C)	P (-29 DEG C) TO U (+121 DEG C)	P (-29 DEG C) TO U (+121 DEG C)

MATERIAL REQUIREMENTS		
MATERIAL CLASS	BoDY, BoNNET, END AND oUTLET CoNNECTIoNS	PRESSURE CoNTRoLLING PARTS E.G. STEMS
AA - GENERAL SERVICE	CARBON OR LOW ALLOY STEEL	CARBON OR LOW ALLOY STEEL
BB - GENERAL SERVICE	CARBON OR LOW ALLOY STEEL	STAINLESS STEEL
DD - SOUR SERVICE**	CARBON OR LOW ALLOY STEEL*	CARBON OR LOW ALLOY STEEL*
EE - SOUR SERVICE**	CARBON OR LOW ALLOY STEEL*	STAINLESS STEEL*

**As defined in NACE MR-01-75 *In accordance with NACE MR-01-75

GENERAL NOTE: Please contact GonPetro for any special material or dimensional requirements.

Section 10. API 5000lb Mud Gate Valves

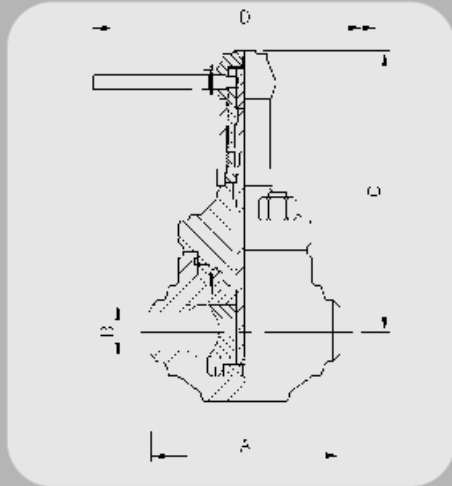


Table 10.1 Butt Weld End Valves

Pressure Rating	2000 PSI WP 3000 PSI TEST			3000 PSI WP 4500 PSI TEST			5000 PSI WP 7500 PSI TEST				
	2	3	4	2	3	4	2	3	4	5x4	6x4
Size (in)	2	3	4	2	3	4	2	3	4	5x4	6x4
A (End to End)	229	279	330	229	279	330	229	279	330	330	330
B (Seat Bore)	51	76	102	51	76	102	51	76	102	102	102
C (Open)	330	457	540	330	457	540	330	457	626	626	626
D (Handle Diameter)	356	482	584	356	482	584	356	482	584	584	584
Weight (kg)	22	43	64	24	51	74	28	64	95	95	100

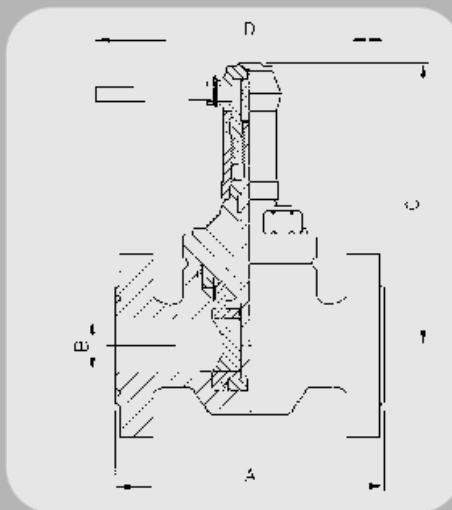


Table 10.2 API Flanged End Valves

Pressure Rating	2000 PSI WP 3000 PSI TEST			3000 PSI WP 4500 PSI TEST			5000 PSI WP 7500 PSI TEST				
	2	3	4	2	3	4	2	3	4	5x4	6x4
Size (in)	2	3	4	2	3	4	2	3	4	5x4	6x4
A (End to End)	295	359	416	295	359	416	308	397	457	737	N/A
B (Seat Bore)	51	76	102	51	76	102	51	76	102	102	N/A
C (Open)	330	457	540	330	457	540	330	457	626	626	N/A
D (Handle Diameter)	356	482	584	356	482	584	356	482	584	584	N/A
Weight (kg)	32	64	91	46	80	120	50	110	150	150	N/A

GENERAL NOTE: Dimensions are in mm

Section 10. API 5000lb Mud Gate Valves

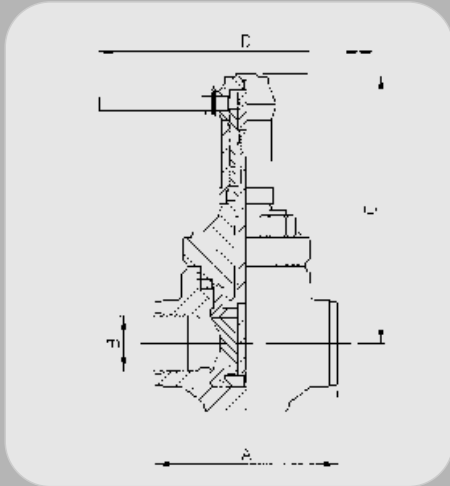


Table 10.3 Screwed End Valves

Pressure Rating	2000 PSI WP 3000 PSI TEST			3000 PSI WP 4500 PSI TEST			5000 PSI WP 7500 PSI TEST				
	2	3	4	2	3	4	2	3	4	5x4	6x4
A (End to End)	229	279	330	229	279	330	229	279	330	330	N/A
B (Seat Bore)	51	76	102	51	76	102	51	76	102	102	N/A
C (Open)	330	457	540	330	457	540	330	457	626	626	N/A
D (Handle Diameter)	356	486	584	356	486	584	356	486	584	584	N/A
Weight (kg)	22	43	64	24	51	74	28	64	95	95	N/A

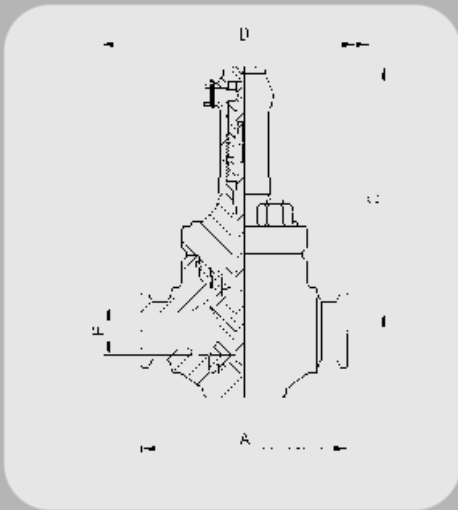


Table 10.4 Hub End Valves

Pressure Rating	2000 PSI WP 3000 PSI TEST			3000 PSI WP 4500 PSI TEST			5000 PSI WP 7500 PSI TEST				
	2	3	4	2	3	4	2	3	4	5x4	6x4
A (End to End)	368	445	514	368	445	514	368	445	514	552	565
B (Seat Bore)	51	76	102	51	76	102	51	76	102	102	102
C (Open)	330	457	540	330	457	540	330	457	626	626	626
D (Handle Diameter)	356	486	584	356	486	584	356	486	584	584	584
Weight (kg)	30	54	115	30	54	115	30	54	115	120	130

GENERAL NOTE: Dimensions are in mm