

Section 11. API 7500lb Mud Gate Valves

Section 11a API 7500lb Rubber Seated Mud Gate Valves

Gate Valves are designed and manufactured in accordance with the following specifications:-

API 6A	Specification for Wellhead and Christmas Tree Equipment
ANSI B31.3	Chemical Plant and Petroleum Refinery Piping
ASME VIII	Boiler and Pressure Vessel Code
MSS-SP-55	Quality Standard for Steel Castings for Valve, Flanges and Fittings and Other Piping Components
NACE MR-01-75	Sulphide Stress Cracking Resistant Metallic Materials for Oilfield Equipment

Gate Valves are available in either rubber or metal seated designs depending upon actual service conditions. Contact Forum for further details:

PRESSURE & TEMPERATURE RATINGS		
RUBBER SEATED MUD GATE VALVES		
MAX. WORKING PRESSURE	7,500 PSI	
TEST PRESSURE	11,250 PSI	
API TEMPERATURE RATING	P (-29 DEG C) TO U (+121 DEG C)	
MATERIAL REQUIREMENTS		
MATERIAL CLASS	BoDY, BoNNET, END AND oUTLET CoNNECTIoNS	PRESSURE CoNTRoLLING PARTS E.G. STEMS
AA - GENERAL SERVICE	CARBON OR LOW ALLOY STEEL	CARBON OR LOW ALLOY STEEL
BB - GENERAL SERVICE	CARBON OR LOW ALLOY STEEL	STAINLESS STEEL
DD - SOUR SERVICE**	CARBON OR LOW ALLOY STEEL*	CARBON OR LOW ALLOY STEEL*
EE - SOUR SERVICE**	CARBON OR LOW ALLOY STEEL*	STAINLESS STEEL*

**As defined in NACE MR-01-75 *In accordance with NACE MR-01-75

GENERAL NOTE: Please contact GonPetro for any special material or dimensional requirements.

Section 11a. API 7500lb Rubber Seated Mud Gate Valves

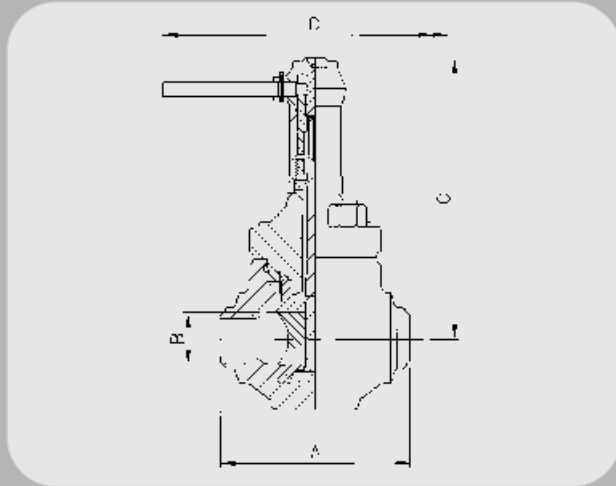


Table 11a.1 Butt Weld End Valves					
Size (in)	2x3	3	4	5x4	6x5
A (End to End)	279	279	330	330	457
B (Seat Bore)	51 (76)	76	102	102	130
C (Open)	457	457	625	625	806
D (Handle Dia)	383	483	584	584	610
Weight (kg)	95	95	100	100	243

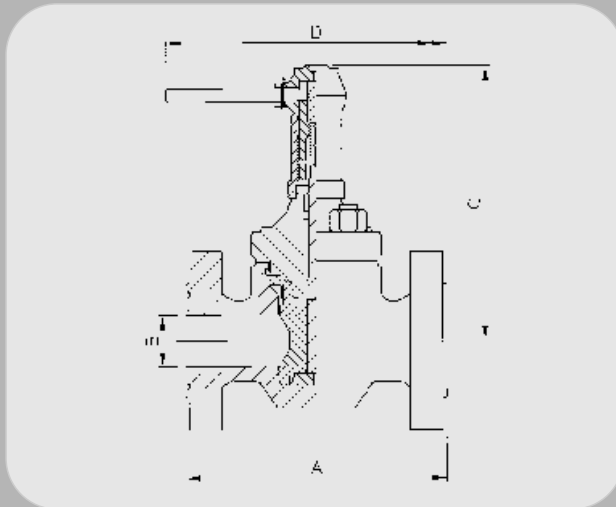


Table 11a.2 10,000lb Flanged End Valves				
Size (in)	2 1/16 3	3 1/16	4 1/16 5	5 1/8
A (End to End)	467	619	670	737
B (Seat Bore)	51 (76)	76	102	130
C (Open)	457	457	625	806
D (Handle Dia)	483	483	584	610
Weight (kg)	140	150	221	360

GENERAL NOTE: Dimensions are in mm.

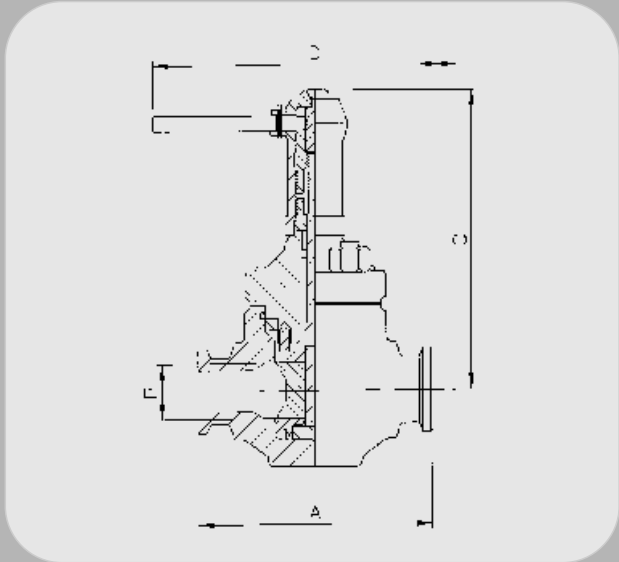


Table 11a.3 Hub End Valves

Size (in)	2x3	3	4	5x4	6x5
A (End to End)	425	451	521	559	581
B (Seat Bore)	51 (76)	76	102	102	132
C (Open)	457	457	625	625	805
D (Handle Dia)	483	483	584	584	610
Weight (kg)	99	102	110	120	275

GENERAL NOTE: Dimensions are in mm.

Section 11. API 7500lb Mud Gate Valves

Section 11b API 7500lb Metal Seated Mud Gate Valves

Gate Valves are designed and manufactured in accordance with the following specifications:-

API 6A	Specification for Wellhead and Christmas Tree Equipment
ANSI B31.3	Chemical Plant and Petroleum Refinery Piping
ASME VIII	Boiler and Pressure Vessel Code
MSS-SP-55	Quality Standard for Steel Castings for Valve, Flanges and Fittings and Other Piping Components
NACE MR-01-75	Sulphide Stress Cracking Resistant Metallic Materials for Oilfield Equipment

Gate Valves are available in either rubber or metal seated designs depending upon actual service conditions. Contact GonPetro for further details:

PRESSURE & TEMPERATURE RATINGS		
METAL SEATED MUD GATE VALVES		
MAX. WORKING PRESSURE	7,500 PSI	
TEST PRESSURE	11,250 PSI	
API TEMPERATURE RATING	K (-60 DEG C) TO Y (+345 DEG C)	
MATERIAL REQUIREMENTS		
MATERIAL CLASS	BoDY, BoNNET, END AND oUTLET CoNNECTIoNS	PRESSURE CoNTRoLLING PARTS E.G. STEMS
AA - GENERAL SERVICE	CARBON OR LOW ALLOY STEEL	CARBON OR LOW ALLOY STEEL
BB - GENERAL SERVICE	CARBON OR LOW ALLOY STEEL	STAINLESS STEEL
DD - SOUR SERVICE**	CARBON OR LOW ALLOY STEEL*	CARBON OR LOW ALLOY STEEL*
EE - SOUR SERVICE**	CARBON OR LOW ALLOY STEEL*	STAINLESS STEEL*

**As defined in NACE MR-01-75 *In accordance with NACE MR-01-75

GENERAL NOTE: Please contact GonPetro for any special material or dimensional requirements.
 Max.working pressures stated are suitable for temperatures up to 121°C.
 De-rating of max.working pressure will occur as the operating temperature increases above 121°C. Consult GonPetro for further details.

Section 11b. API 7500lb Metal Seated Mud Gate Valves

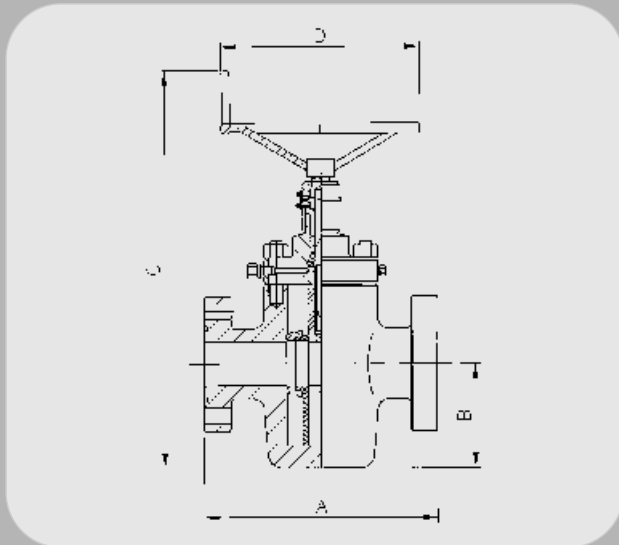
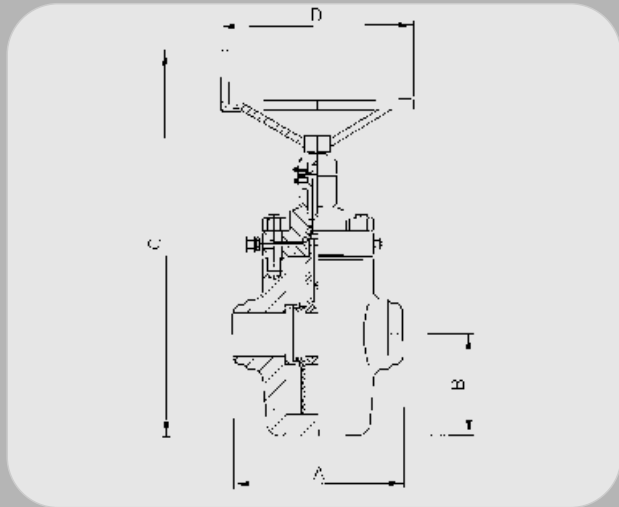


Table 11b.1 Butt Weld End Valves

Size (in)	1½ 2	¼ 16	¾ 4	⅝ 5	⅜ 8
A (End to End)	254	286	318	362	483
B (Ctr to Base)	112	144	185	249	294
C (Open)	577	626	821	816	927
D (Handle Dia)	356	356	457	457	559
Weight (kg)	65	75	130	230	420

Table 11b.2 API 10,000lb Flanged End Valves

Size (in)	2⅝ 3	¼ 16	4⅝ 5	⅜ 8
A (End to End)	372	473	549	686
B (Ctr to Base)	144	185	249	294
C (Open)	736	821	816	927
D (Handle Dia)	356	470	457	559
Weight (kg)	100	190	350	600

GENERAL NOTE: Dimensions are in mm.

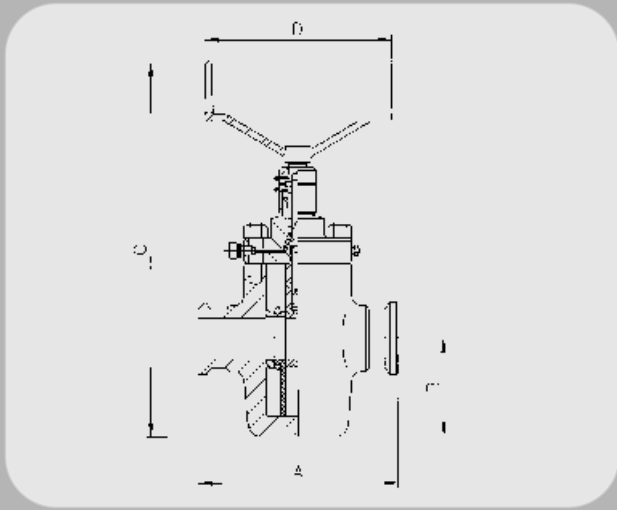


Table 11b.3 Hub End Valves

Size (in)	1/2 2	1/16	3/16 4	1/16 5	1/8
A (End to End)	279	295	371	417	483
B (Ctr to Base)	112	144	185	230	294
C (Open)	566	626	821	797	927
D (Handle Dia)	356	356	457	457	559
Weight (kg)	70	80	136	234	432

GENERAL NOTE: Dimensions are in mm.

Section 12. API 6A Plug Valves

Plug Valves are designed and manufactured in accordance with the following specifications:-

API 6A	Specification for Wellhead and Christmas Tree Equipment
ANSI B31.3	Chemical Plant and Petroleum Refinery Piping
ASME VIII	Boiler and Pressure Vessel Code
NACE MR-01-75	Sulphide Stress Cracking Resistant Metallic Materials for Oilfield Equipment

Plug Valves are available in either lever, gearbox or remote operation for use in the following pressure ratings and services.

PRESSURE & TEMPERATURE RATINGS			
MAX. WORKING PRESSURE	5,000 PSI	10,000 PSI	15,000 PSI
TEST PRESSURE	7,500 PSI	15,000 PSI	22,500 PSI
PRODUCT SPECIFICATION LEVELS	1, 2, 3 & 4	1, 2, 3 & 4	1, 2, 3 & 4
API TEMPERATURE RATING	P (-29 DEG C) TO U (+121 DEG C)	P (-29 DEG C) TO U (+121 DEG C)	P (-29 DEG C) TO U (+121 DEG C)

MATERIAL REQUIREMENTS		
MATERIAL CLASS	BoDY, BoNNET, END AND oUTLET CoNNECTIoNS	PRESSURE CoNTRoLLING PARTS E.G. STEMS
AA - GENERAL SERVICE	CARBON OR LOW ALLOY STEEL	CARBON OR LOW ALLOY STEEL
BB - GENERAL SERVICE	CARBON OR LOW ALLOY STEEL	STAINLESS STEEL
CC - GENERAL SERVICE	STAINLESS STEEL	STAINLESS STEEL
DD - SOUR SERVICE**	CARBON OR LOW ALLOY STEEL*	CARBON OR LOW ALLOY STEEL*
EE - SOUR SERVICE**	CARBON OR LOW ALLOY STEEL*	STAINLESS STEEL*
FF - SOUR SERVICE**	STAINLESS STEEL*	STAINLESS STEEL*

**As defined in NACE MR-01-75 *In accordance with NACE MR-01-75

GENERAL NOTE: Please contact GonPetro for any special material or dimensional requirements.