

Section 12. API 6A Plug Valves

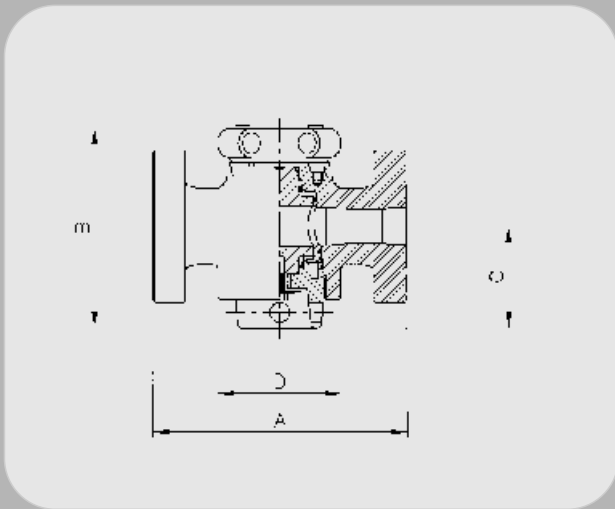


Table 12.1 API Flanged Ends

Size	WP PSI	WEIGHT (KG)	ALL DIMENSIONS in mm			
			A	B	C	D
1"x 1 ⁹ / ₁₆ " Flange	10000	47.6	342.9	235.0	115.9	187.3
	15000	50.8	342.9	235.0	115.9	208.0
1"x 2 ¹ / ₁₆ " Flange	10000	51.7	342.9	235.0	115.9	200.0
	15000	51.7	342.9	235.0	115.9	222.3
1.31"x 1 ⁹ / ₁₆ " Flange	15000	53.5	342.9	257.2	136.5	222.3
1.31"x 2 ¹ / ₁₆ " Flange	15000	55.34	342.9	257.2	136.5	181.0
1.75"x 1 ⁹ / ₁₆ " Flange	10000	53.5	342.9	273.1	142.9	187.3
	15000	53.5	342.9	273.1	142.9	208.0
2"x 2 ¹ / ₁₆ " Flange	10000	51.7	342.9	269.9	139.7	200.0
	15000	51.7	342.9	269.9	139.7	200.0
2.5"x 2 ⁹ / ₁₆ " Flange	5000	127	619.1	311.2	165.1	241.3
	10000	127	619.1	311.2	165.1	241.3
	15000*	127	619.1	311.2	165.1	241.3
3"x 3 ³ / ₈ " Flange	5000	144	619.1	330.2	206.4	266.7
3"x 3 ¹ / ₁₆ " Flange	10000*	152	619.1	431.8	206.4	269.9
	15000*	152	619.1	431.8	206.4	278.3
3"x 4 ¹ / ₁₆ " Flange	5000	154	619.1	330.2	206.4	241.3
	10000*	154	619.1	431.8	206.4	241.3

GENERAL NOTE: *Gear operated

Section 12. API 6A Plug Valves

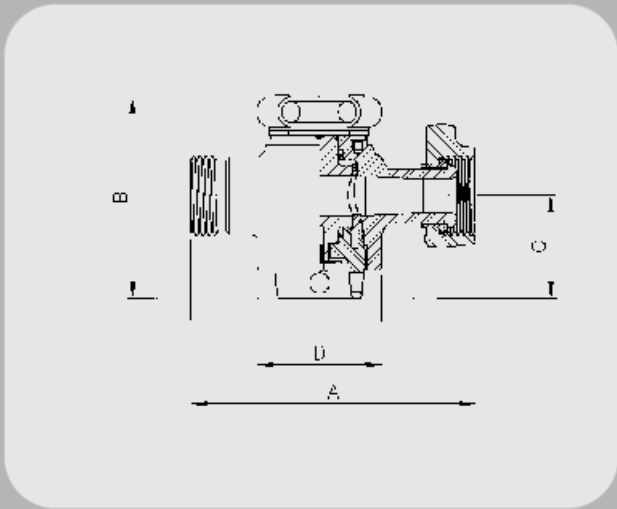


Table 12.2 Hammer Lug Union Ends (Male & Female)

Size	WP PSI	WEIGHT (KG)	ALL DIMENSIONS in mm			
			A	B	C	D
38"x 2" 1502 Union	15000	29	268.3	235.0	115.9	136.5
1"x 2" 1502 Union	10000	24	268.3	235.0	115.9	136.5
	15000	24	268.3	235.0	115.9	136.5
1.31"x 2" 1502 Union	15000	45	352.4	257.2	136.5	181.0
1.31"x 2" 2202 Union	15000	45	355.6	257.2	136.5	181.0
1.75"x 2" 1502 Union	10000	45	352.4	273.1	142.9	181.0
	15000	45	352.4	273.1	142.9	181.0
2"x 2" 1502 Union	10000	44	352.4	269.9	139.7	181.0
	15000	44	352.4	269.9	139.7	181.0
2.5"x 3" 1502 Union	10000	89	431.8	311.2	165.1	241.3
	15000*	89	431.8	311.2	165.1	241.3
3"x 3" 1502 Union	10000*	87	431.8	330.2	206.4	241.3
	15000*	87	431.8	431.8	206.4	241.3

GENERAL NOTE: *Gear operated

Section 12. API 6A Plug Valves

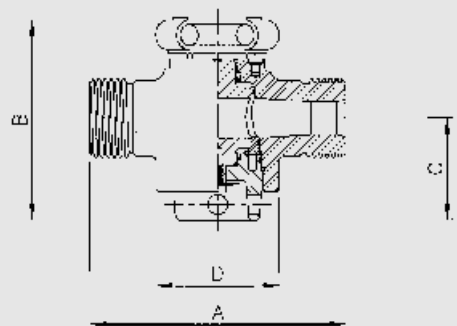
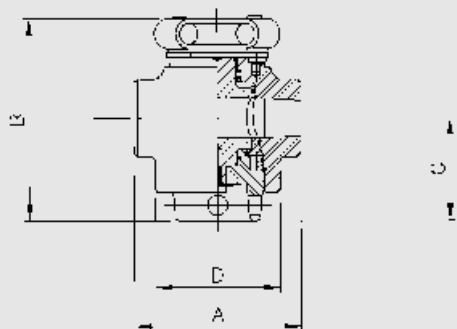


Table 12.3 Female Line Pipe Ends

Size	WP PSI	WEIGHT (KG)	ALL DIMENSIONS in mm			
			A	B	C	D
2" x 2" LP Female	5000	33	215.9	269.9	139.7	181.0
	10000	33	215.9	269.9	139.7	181.0
3" x 3" LP Female	6000	67	282.6	330.2	181.0	238.1

Table 12.4 Male Line Pipe Ends

Size	WP PSI	WEIGHT (KG)	ALL DIMENSIONS in mm			
			A	B	C	D
3/8" x 2" LP Male	10000	19	228.6	235.0	115.9	136.5
1" x 2" LP Male	5000	16	228.6	235.0	115.9	136.5
	10000	16	228.6	235.0	115.9	136.5